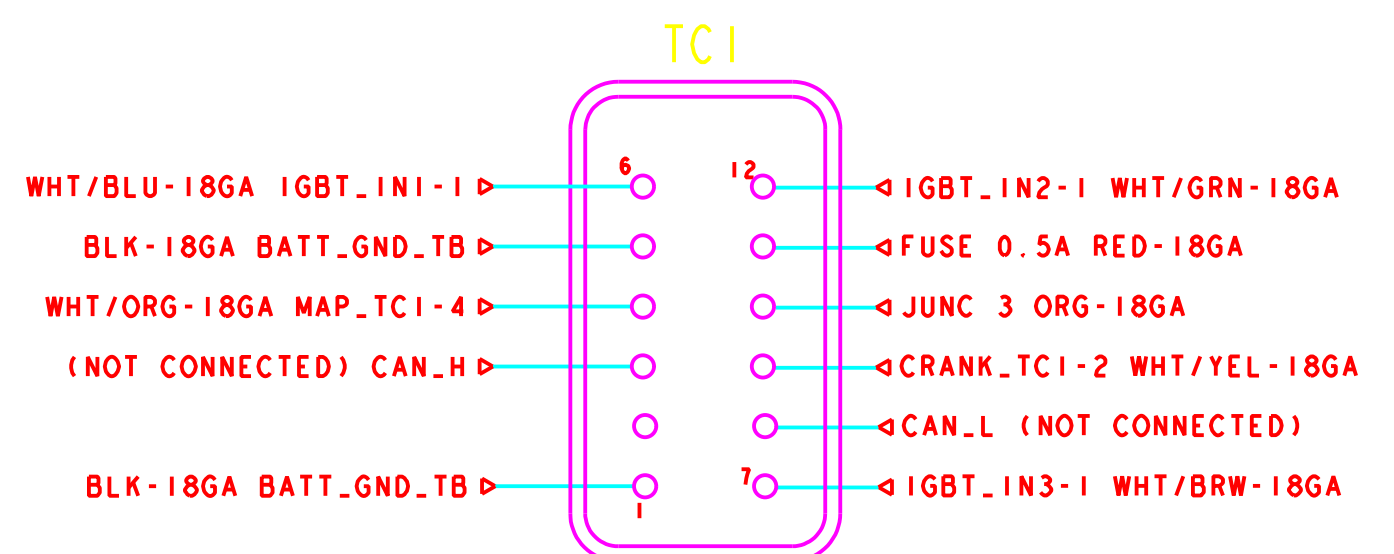
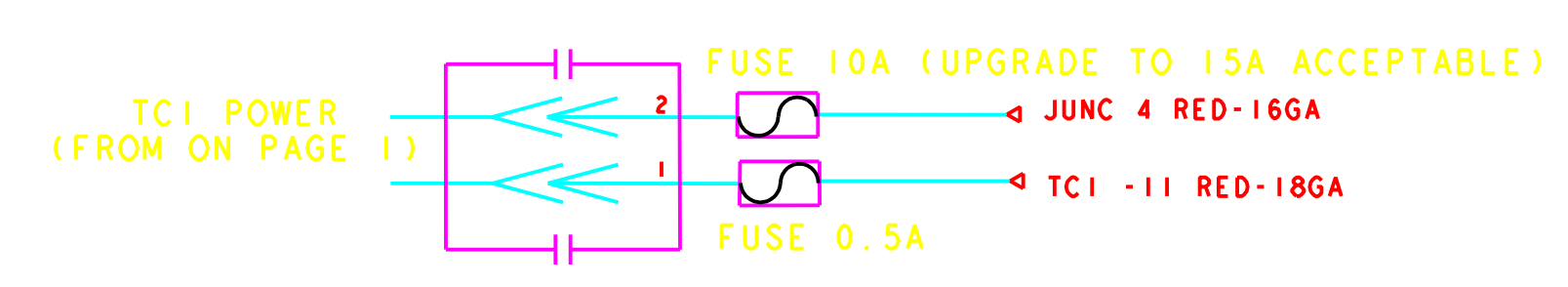
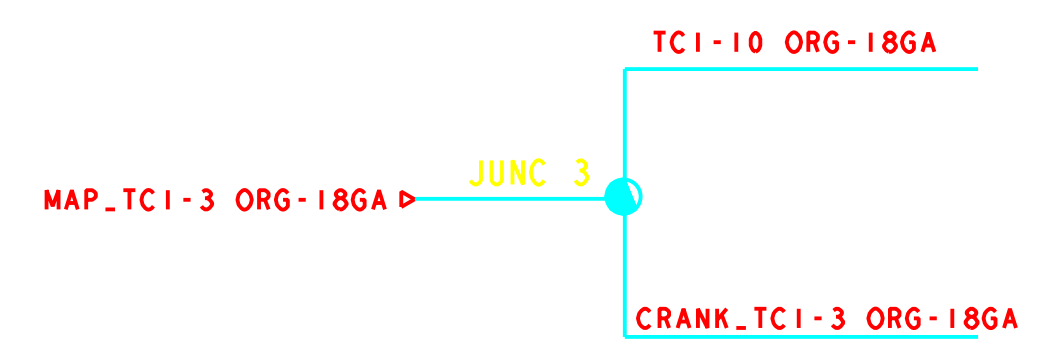
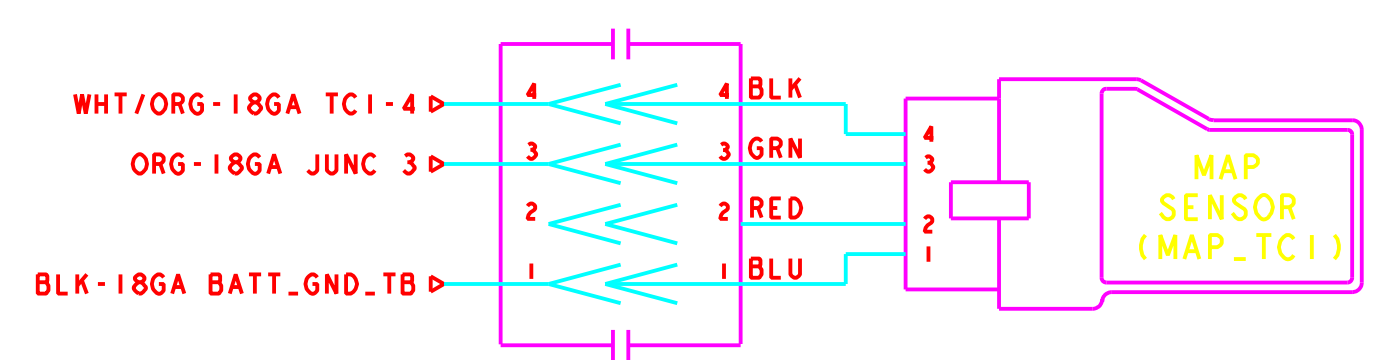
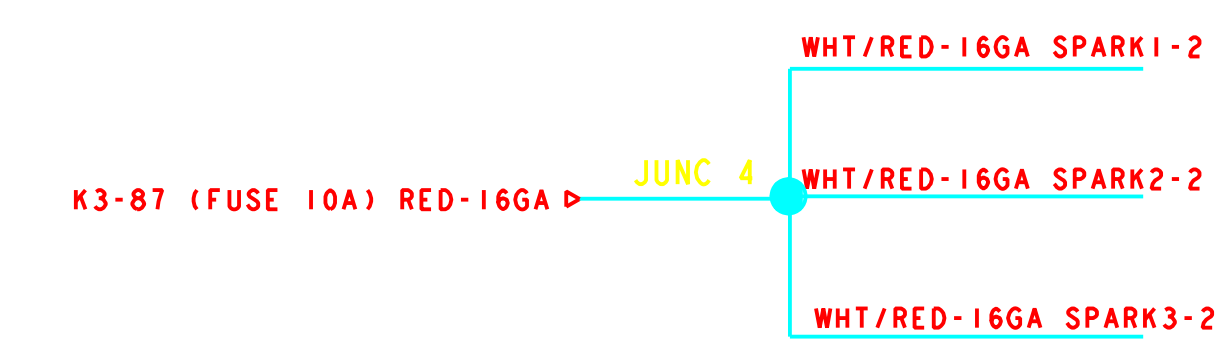
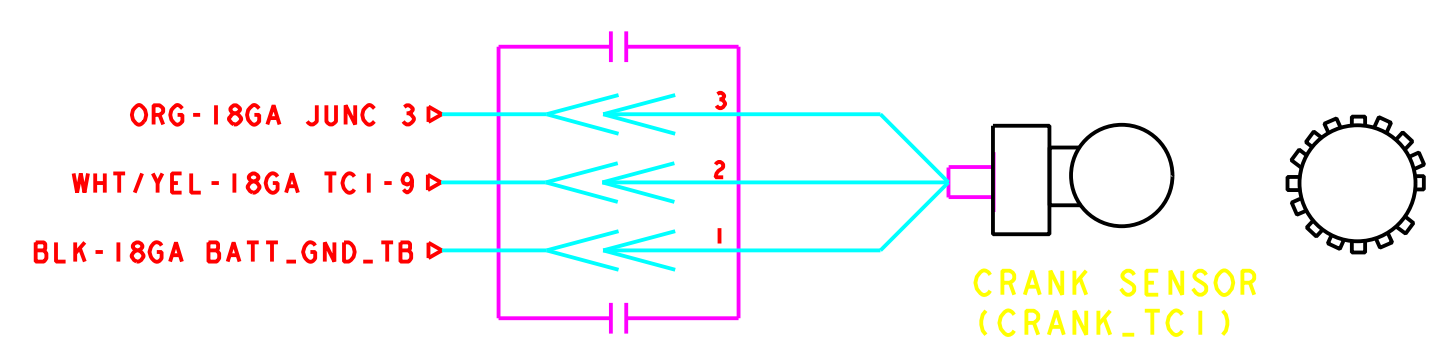
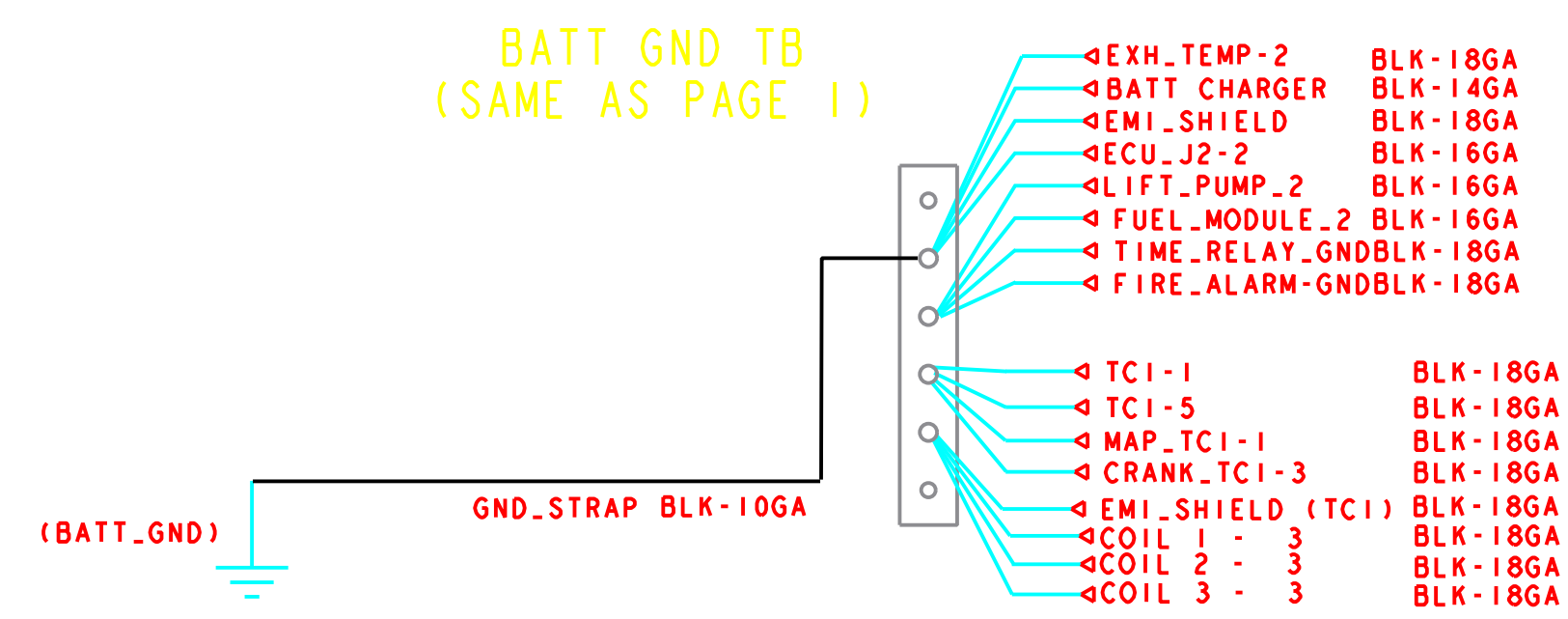
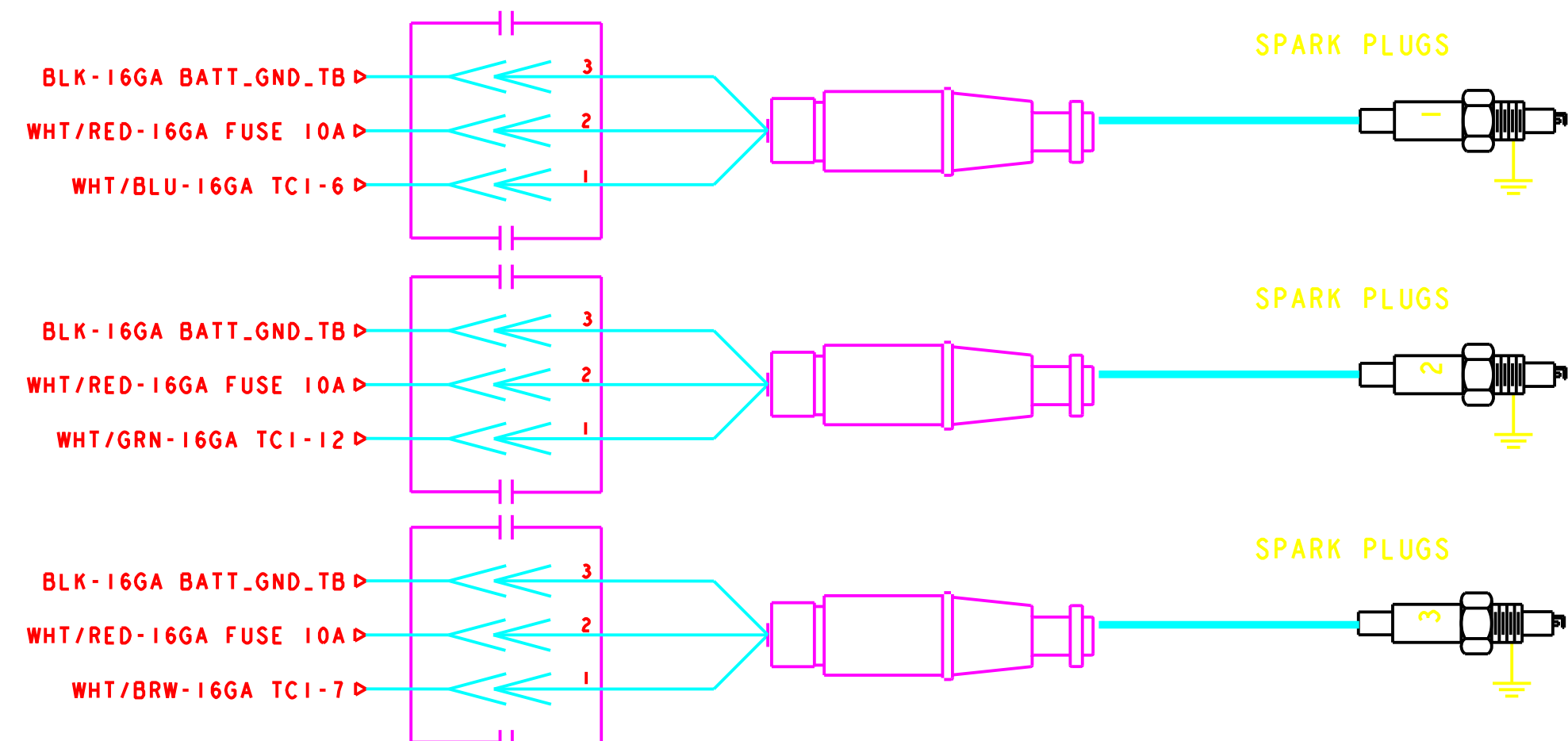


TOLERANCES (UNLESS OTHERWISE NOTED)		TITLE DGGENSET WIRE 5.0-7.5 MCGA	
INCHES	MILLIMETERS	DATE	MATERIAL
XXX ± .005	XXX ± .13	APPROVED BY	DATE
FINISH		SCALE	DRAWING NUMBER
		1 OF 3	E 56558



TOLERANCES (UNLESS OTHERWISE NOTED)			
INCHES X XXX CAST FINISH	MILLIMETERS X X X X	TITLE DOGENSET WIRE 5.0-7.5 MCGA	MATERIAL
DIMENSIONS INCHES MILLIMETERS (WHEN APPLICABLE)	SCALE DRAWINGS SCALE SHT. 2 of 3	DATE 08/Aug/17	REV. C
		DRAWING NUMBER 56558	

